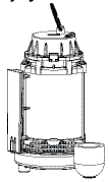


Notes / Notas

Please read and save these instructions. Read carefully before attempting to assemble, install, operate or maintain the product described. Protect yourself and others by observing all safety information. Failure to comply with instructions could result in personal injury and/or property damage! Retain instructions for future reference.



Submersible Sump Pump



Description

The submersible pump is designed for indoor home sump applications. The unit is equipped with a 3-prong grounding type power cord. Motor is oil filled and sealed for cooler running and designed to operate under water. This pump is not suitable for aquatic life.

This sump pump is provided with Switch Genius™ Technology to control the water level. When water is detected, the pump will start automatically.

Unpacking

Inspect this unit before it is used. Occasionally, products are damaged during shipment. If the pump or components are damaged, return the unit to the place of purchase for replacement. Failure to do so could result in serious injury or death.

Important Safety Instructions

READ AND FOLLOW ALL INSTRUCTIONS.

Safety Guidelines

This manual contains information that is very important to know and understand. This information is provided for SAFETY and to PREVENT EQUIPMENT PROBLEMS. To help recognize this information, observe the following symbols:

DANGER Danger indicates an imminently hazardous situation which, if not avoided, will result in death or serious injury.

WARNING Warning indicates a potentially hazardous situation which, if not avoided, could result in death or serious injury.

REMINDER: Keep your dated proof of purchase for warranty purposes! Attach it to this manual or file it for safekeeping.

CAUTION Caution indicates a potentially hazardous situation which, if not avoided, may result in minor or moderate injury.

NOTICE Notice indicates important information, that if not followed, may cause damage to equipment.

General Safety Information

CALIFORNIA PROPOSITION 65

WARNING This product or its power cord may contain chemicals, including lead, known to the State of California to cause cancer and birth defects or other reproductive harm. Wash hands after handling.

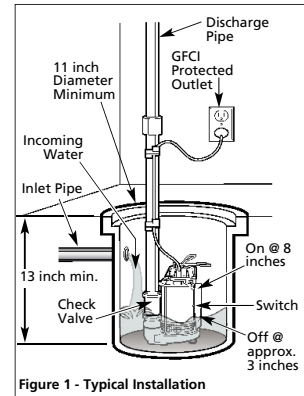


Figure 1 - Typical Installation

Specifications

Power supply requirements	120V, 60 hz
Motor	Single phase, oil filled
Horsepower/Amp Ratings	1/3 HP/9.5 A (CDUCAP725)
	1/2 HP/10 A (CDUCAP850)
	3/4 HP/10 A (CDUCAP995)
	1 HP/10 A (CDUCAP1000)
Liquid temperature range	40°F to 120°F
Circuit requirements	15 amps (min)
Dimensions	11-1/2 inch high x 9-3/4 inch base
Cut-in level (factory set)	8 inch
Cut-out level (factory set)	Approx. 3inch

Construction

Motor housing	Cold rolled steel, Stainless steel (CDUCAP995)
Volute	Cast iron
Impeller	Glass reinforced thermoplastic
Shaft	Low carbon steel
Seals	Buna N
Discharge	1-1/2 inch NPT
Motor Cover	Glass reinforced thermoplastic

General Safety Information (Cont.)

GENERAL

DANGER Do not use to pump flammable or explosive fluids such as gasoline, fuel oil, kerosene, etc. Do not use in a flammable and/or explosive atmosphere. Pump should only be used to pump clear water. Personal injury and/or property damage could result.



NOTICE This pump is not designed to handle salt water, brine, laundry discharge or any other application which may contain caustic chemicals and/or foreign materials. Pump damage could occur if used in these applications and will void warranty.

WARNING All wiring must be performed by a qualified electrician.

DANGER If the basement has water or moisture on the floor, do not walk on wet area until all power is turned off. If the shutoff box is in the basement, call an electrician. Remove pump and either repair or replace. Failure to follow this warning could result in fatal electrical shock.



NOTICE A backup system should be used. Call 1-800-237-0987 for backup model number.

Installation

1. Install pump in a sump pit with minimum size as shown in Figure 1. Construct sump pit of tile, concrete, steel or plastic.
2. The unit should be located and rest on a solid, level foundation. Do not place pump directly on clay, earth, gravel or sandy surface. These surfaces contain small stones, gravel, sand, etc. that may clog or damage the pump and cause pump failure.

WARNING Flood risk. If flexible discharge hose is used, make sure pump is secured in sump pit to prevent movement. Failure to secure pump could allow pump movement and switch interference and prevent pump from starting or stopping.

3. Thread check valve (not included) into pump body carefully to avoid stripping or cross threading. Do not use pipe joint sealant.
4. Connect 1-1/4" (minimum) rigid pipe to check valve.

WARNING Support pump and piping when assembling and after installation. Failure to do so could cause piping to break, pump to fail, etc. which could result in property damage and/or personal injury.

5. Protect electrical cord from sharp object, hot surfaces, oil and chemicals. Avoid kinking the cord and replace damaged cords immediately.
6. Position Pump switch AWAY from the inlet so switch is clear from incoming water (See Figure 1).
7. A sump pit cover must be installed to prevent debris from clogging or damaging the pump.

Operation

DANGER Always disconnect the power source before attempting to install, service, relocate or maintain the pump. Never touch sump pump, pump motor, water or discharge piping when pump is connected to electrical power. Never handle a pump or pump motor with wet hands or when standing on wet or damp surface or in water. Fatal electrical shock could occur.



1. A ground fault circuit interrupter (GFCI) is required.

WARNING Risk of electrical shock! This pump is supplied with a grounding conductor and grounding type attachment plug. Use a grounded receptacle to reduce the risk of fatal electrical shock.

Never cut off the round grounding prong. Cutting the cord or plug will void the warranty and make the pump inoperable.

2. This pump is only for use on 120 Volt (single-phase), 60 hz, 15 amp service and is equipped with a 3-conductor cord and 3-prong, grounding type plug. Insert the switch cord plug directly into a 120 volt outlet.

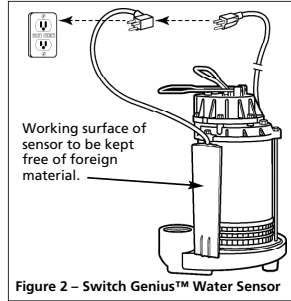


Figure 2 – Switch Genius™ Water Sensor

3. Insert the pump power cord plug directly into the back of the water sensor cord plug (Figure 2).
4. Fill sump with water. The pump will start automatically when the water is about 1.5" from the top of the switch. The pump will recycle thereafter as required.

- Sump pump will run a minimum of 4 seconds, to a maximum of 16 before stopping.
 - Sump pump run time will be determined by the sump pit size and water flow rate into the sump pit.
 - Under flooding conditions, the sump pump will stop for 1 second, every 16 seconds, and automatically turn back on.
5. Do not operate the pump unless it is submerged in water. Dry running causes pump failure.
 6. The motor is equipped with an automatic reset thermal protector.
 7. While the pump is draining the pit, verify that the discharge piping is carrying the water to a point several feet away from the foundation.
 8. If pump discharge line is exposed to freezing temperature, the exposed line must be pitched to drain. Trapped water will freeze and damage the pump.

Garantía Limitada

Durante cinco (5) años a partir de la fecha de compra (Modelos CDUCAP725 y CDUCAP850) y garantía de por vida (Modelos CDUCAP995 y CDUCAP1000), Wayne Water Systems reparará o reemplazará, según lo decida, para el comprador original, cualquier pieza o piezas de sus Bombas para cloacas o Bombas de agua ("Producto") que después de un examen sea(n) hallada(s) por Wayne Water Systems como defectuosa(s) en su material o mano de obra. Para recibir información sobre los pasos a seguir, comuníquese directamente con la compañía Wayne Water Systems (1-800-237-0987, sólo desde EE.UU.), o con el distribuidor autorizado más cercano a su domicilio. En el momento de reclamar sus derechos bajo esta garantía deberá suministrarlos el número del modelo. Todos los gastos de flete serán la responsabilidad del comprador.

Esta garantía limitada no cubre los daños debido a accidentes, abusos, uso inadecuado, negligencia, instalación inadecuada, mantenimiento inadecuado, o funcionamiento sin seguir las instrucciones suministradas por escrito por la compañía Wayne Water Systems.

NO EXISTE OTRA GARANTÍA EXPRESA. LAS GARANTÍAS IMPLÍCITAS, INCLUYENDO AQUELLAS DE COMERCIALIZACIÓN Y APTITUD PARA UN PROPÓSITO EN PARTICULAR, ESTÁN LIMITADAS A 5 (cinco) años (MODELOS CDUCAP725 y CDUCAP850) Y GARANTÍA DE POR VIDA (MODELOS CDUCAP995 y CDUCAP1000) A PARTIR DE LA FECHA DE COMPRA. ESTA ES LA ÚNICA GARANTÍA Y CUALQUIER PÉRDIDA O RESPONSABILIDAD CIVIL, SEA DIRECTA O INDIRECTA COMO CONSECUENCIA DE DAÑOS SON EXCLUIDAS.

Algunos estados no permiten límites en la duración de las garantías, o no permiten que se limiten o excluyan casos por daños por accidentes o consecuentes, en dichos casos los límites arriba enumerados tal vez no apliquen para Ud. Esta garantía limitada le otorga a Ud. ciertos derechos que pueden variar de un estado a otro.

Bajo ninguna circunstancia, aunque sea debido al incumplimiento del contrato de garantía, culpabilidad (incluyendo negligencia) u otras causas, la compañía Wayne Water Systems o ninguno de sus surtidores serán responsables legalmente por ningún fallo legal en su contra, incluyendo, pero no limitado a pérdida de ganancias, pérdidas del uso del producto o piezas asociadas con el equipo, pérdidas de capital, gastos para reemplazar los productos dañados, pérdidas por cierre de fábrica, servicios o pérdida de electricidad, o demandas presentadas por los clientes del comprador por dichos daños.

Ud. **DEBE** conservar el recibo como prueba de compra junto con esta garantía. En caso de que necesite presentar un reclamo de sus derechos bajo esta garantía, Ud. **DEBERA** enviar una **copia** del recibo de la tienda junto con el producto o correspondencia. Comuníquese con la compañía Wayne Water Systems (1-800-237-0987, sólo desde EE.UU) para recibir autorización e instrucciones de como enviar la mercancía.

NO ENVIE ESTOS DATOS A WAYNE WATER SYSTEMS. Conserve esto sólo como datos.

MODEL NO _____

NO. DE SERIE . _____

FECHA DE INSTALACION _____

GRAPE SU RECIBO DE COMPRA AQUÍ

Notas

Maintenance

⚠ DANGER Always disconnect the electrical supply before attempting to install, service, relocate or perform any maintenance. If the power source is out of sight, lock and tag in the open (off) position to prevent unexpected power application. Failure to do so could result in fatal electrical shock. Only qualified electricians should repair this unit. Improper repair could result in fatal electrical shock.

1. Let the pump cool for a minimum of two hours before servicing because the pump contains hot oil under pressure and the motor is hot.
2. Disassembly of the motor prior to expiration of warranty will void the warranty. If repairs are required, see troubleshooting chart.
3. Inlet should be kept clean and free of all foreign objects and inspect annually. A clogged inlet will damage pump.
4. Pump should be checked monthly for proper operation. Pump can be checked for proper operation by briefly removing pump power cord from the back of the water sensor plug and inserting directly into the

grounded outlet. In this condition, the pump will run continuously. Once pump operation is verified, replace pump power cord into the back of the water sensor plug (see Figure 2).

5. Wipe water sensor surface regularly to prevent silt or other coatings from building up on sensor face (see Figure 2).

⚠ WARNING This pump contains dielectric oil for cooling. This oil can be harmful to the environment. Check the state environmental laws before disposing this oil.

Troubleshooting Chart

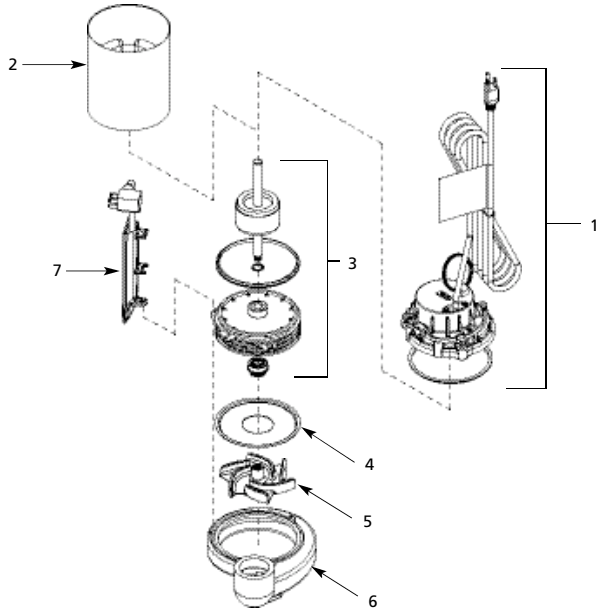
Symptom	Possible Cause(s)	Corrective Action
Pump will not start or run	1. Blown fuse 2. Low line voltage 3. Defective motor 4. Impeller	1. If blown, replace with proper sized fuse or reset breaker 2. If voltage is under 108 volts, check wiring size 3. Replace pump 4. If impeller will not turn, remove housing and remove blockage
Pump starts and stops too often	1. Backflow of water from piping 2. Incoming water is draining on sensor face	1. Install or replace check valve 2. Position pump switch away from the inlet so switch is clear from incoming water (see Figure 1)
Pump will not shut off or thermal protector turns off	1. Obstacle in piping 2. Low Line Voltage 3. Too many appliances on circuit 4. Dirty water sensor 5. Incoming water is draining on sensor face	1. Remove pump and clean pump and piping 2. If voltage is under 108 volts, check wiring size 3. Install pump on dedicated circuit. IMPORTANT: Do not use extension cord to power pump. 4. Clean sensor face (see Figure 2) 5. Position pump switch away from the inlet so switch is clear from incoming water (see Figure 1)
Pump operates but delivers little or no water	1. Plugged impeller 2. Check valve installed backwards 3. Pump airlocked	1. Clean out impeller 2. Reverse position of check valve 3. Drill 1/8" hole in discharge line between pump and check valve
Gurgling sound from pump at end of cycle	1. Air injected into pump 2. Time required for pumping is less than 4 seconds	1. Wipe off surface of sensor (see Figure 2) 2. Additional run time will not damage pump

For Replacement Parts, call 1-800-237-0987

Please provide following information:

- Model number
- Serial number (if any)
- Part description and number as shown in parts list

Address parts correspondence to:
Wayne Water Systems
101 Production Drive
Harrison, OH 45030 U.S.A.



Replacement Parts List

Ref. No.	Description	CDUCAP Series
1	Top cover kit	60030-001
2	Stator	—
3	Lower bracket/rotor assembly	—
4	Impeller plate	15958
5	Impeller	60001-001
6	Volute	60039-001
7	Switch Genius™ Water Sensor	30037-001

Guía de Diagnóstico de Averías

Problema	Posible(s) Causa(s)	Acción a Tomar
La bomba no enciende o no funciona	<ol style="list-style-type: none"> 1. Fusible quemado 2. Bajo voltaje 3. Motor defectuoso 4. Impulsor 	<ol style="list-style-type: none"> 1. Si está quemado, cámbielo por un fusible del tamaño correcto o reajuste el disyuntor 2. Si el voltaje está por debajo de 108 voltios, verifique el tamaño del cable 3. Reemplace la bomba 4. Si el impulsor no funciona, retire la caja y quite la obstrucción
La bomba se inicia y se detiene con demasiada frecuencia	<ol style="list-style-type: none"> 1. Reflujo de agua desde la tubería 2. La entrada de agua drena en la superficie del sensor 	<ol style="list-style-type: none"> 1. Instale o cambie la válvula de retención 2. RPosicione la bomba LEJOS de la entrada de agua de manera que el interruptor no quede cerca de la entrada de agua (ver Figura 1).
La bomba no se apaga o el protector térmico se dispara	<ol style="list-style-type: none"> 1. Obstrucción en la tubería 2. Bajo voltaje 3. Demasiados electrodomésticos sobre el circuito eléctrico 4. Sensor de agua sucia 5. La entrada de agua drena en la superficie del sensor 	<ol style="list-style-type: none"> 1. Retire la bomba y limpie la bomba y la tubería 2. Si el voltaje está por debajo de 108 voltios, verifique el tamaño del cable 3. Instale la bomba en un circuito dedicado. IMPORTANTE: NO use un cordón eléctrico de extensión para alimentar la bomba. 4. Limpie la superficie del sensor (ver Figura 2) 5. Posicione la bomba lejos de la entrada de agua de manera que el interruptor no quede cerca de la entrada de agua (ver Figura 1).
La bomba funciona pero sale muy poca agua o nada	<ol style="list-style-type: none"> 1. Impulsor atascado 2. Válvula de retención instalada al revés 3. Aire en la bomba 	<ol style="list-style-type: none"> 1. Limpie el impulsor 2. Invierta la posición de la válvula de retención 3. Taladre un orificio de 1/8" (3 mm) en la tubería de descarga entre la bomba y la válvula de retención
La bomba emite un ruido de borboteo al final del ciclo	<ol style="list-style-type: none"> 1. La bomba ha aspirado aire 2. El tiempo requerido para bombear es menos de 4 segundos 	<ol style="list-style-type: none"> 1. Limpie la superficie del sensor (ver Figura 2). 2. El tiempo de funcionamiento adicional no daña la bomba

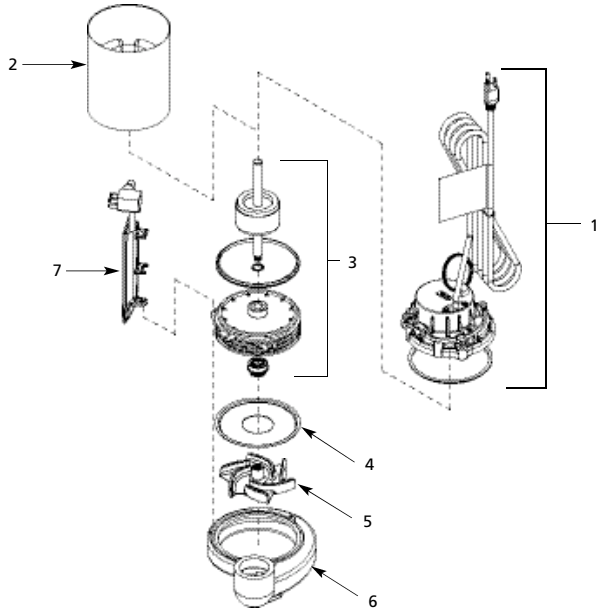
Para Piezas de Repuestos, Llame al 1-800-237-0987

Sírvase proporcionar la siguiente información:

- Número de modelo
- Número de serie (si tiene)
- Descripción y número de repuesto como se muestra en la lista de repuestos

Envíe su solicitud de repuestos a la siguiente dirección:

Wayne Water Systems
101 Production Drive
Harrison, OH 45030 U.S.A.



Lista de Repuestos

No. de Ref.	Descripción	CDUCAP Series
1	Juego de cubierta superior	60030-001
2	Stator	—
3	Ensamble del rotor/abrazadera inferior	—
4	Placa del impulsor	15958
5	Impulsor	60001-001
6	Caja espiral	60039-001
7	Sensor de agua Switch Genius™	30037-001

Notes

Limited Warranty

For five (5) years (Models CDUCAP725 and CDUCAP850) and lifetime warranty (Models CDUCAP995 and CDUCAP1000) from the date of purchase, Wayne Water Systems will repair or replace, at its option, for the original purchaser any part or parts of its Sump Pumps or Water Pumps ("Product") found upon examination by Wayne Water Systems to be defective in materials or workmanship. Please call Wayne Water Systems (1-800-237-0987) for instructions or see your dealer. Be prepared to provide the model number when exercising this warranty. All transportation charges on Products or parts submitted for repair or replacement must be paid by purchaser.

This Limited Warranty does NOT cover Products which have been damaged as a result of accident, abuse, misuse, neglect, improper installation, improper maintenance, or failure to operate in accordance with Wayne Water Systems's written instructions.

THERE IS NO OTHER EXPRESS WARRANTY. IMPLIED WARRANTIES, INCLUDING THOSE OF MERCHANTABILITY AND FITNESS FOR A PARTICULAR PURPOSE, ARE LIMITED TO FIVE (5) YEARS (CDUCAP725 and CDUCAP850) AND LIFETIME WARRANTY (MODELS CDUCAP995 and CDUCAP1000) FROM THE DATE OF PURCHASE. THIS IS THE EXCLUSIVE REMEDY AND ANY LIABILITY FOR ANY AND ALL INDIRECT OR CONSEQUENTIAL DAMAGES OR EXPENSES WHATSOEVER IS EXCLUDED.

Some states do not allow limitations on how long an implied warranty lasts, or do not allow the exclusions or limitations of incidental or consequential damages, so the above limitations might not apply to you. This limited warranty gives you specific legal rights, and you may also have other legal rights which vary from state to state.

In no event, whether as a result of breach of contract warranty, tort (including negligence) or otherwise, shall Wayne Water Systems or its suppliers be liable for any special, consequential, incidental or penal damages including, but not limited to loss of profit or revenues, loss of use of the products or any associated equipment, damage to associated equipment, cost of capital, cost of substitute products, facilities, services or replacement power, downtime costs, or claims of buyer's customers for such damages.

You **MUST** retain your purchase receipt along with this form. In the event you need to exercise a warranty claim, you **MUST** send a **copy** of the purchase receipt along with the material or correspondence. Please call Wayne Water Systems (1-800-237-0987) for return authorization and instructions.

DO NOT MAIL THIS FORM TO WAYNE WATER SYSTEMS. Use this form only to maintain your records.

MODEL NO. _____

SERIAL NO. _____

INSTALLATION DATE _____

ATTACH YOUR RECEIPT HERE

Funcionamiento

(Continuación)

- Bajo condiciones de inundación, la bomba se apaga por 1 segundo cada 16 segundos y vuelve a encenderse automáticamente.
5. No ponga la bomba en funcionamiento a menos que esté sumergida en agua. El funcionamiento en seco causa daños a la bomba.
 6. El motor está equipado con un protector térmico de reposición automática.
 7. Mientras la bomba esté drenando el pozo, verifique que la tubería de descarga esté llevando el agua hacia un punto bastante alejado de la cimentación.
 8. Si la tubería de descarga de la bomba queda expuesta a temperaturas de congelamiento, la tubería expuesta debe inclinarse para que drene. El agua que esté dentro de la bomba puede congelarse y dañar la bomba.

Mantenimiento

⚠ PELIGRO Siempre desconecte la fuente de electricidad antes de intentar instalar, efectuar un servicio, reubicar o realizar cualquier tipo de mantenimiento. Si la fuente de energía está fuera de la vista, tránquila y etiquétela en la posición abierta (off) para evitar que se aplique corriente en forma inesperada. Si no lo hace puede provocar un choque eléctrico mortal. Esta unidad debe ser reparada únicamente por electricistas calificados. La reparación incorrecta podría provocar un choque eléctrico mortal.

1. Deje que la bomba se enfríe por no menos de dos horas antes de dar servicio puesto que la bomba contiene aceite caliente bajo presión y el motor está caliente.
2. Desensamblar el motor antes del vencimiento de la garantía anulará la misma. Si se necesitan reparaciones, vea la tabla de solución de problemas.
3. La entrada de agua debe mantenerse limpia y libre de cualquier objeto extraño y debe inspeccionarse anualmente. Si se atasca la entrada la bomba se daña.

4. Es necesario verificar mensualmente el funcionamiento correcto de la bomba. Es posible verificar que la bomba funcione correctamente desconectando brevemente el cordón de alimentación de la bomba de la parte de atrás del sensor de agua y enchufándolo directamente en el tomacorriente conectado a tierra. Bajo estas condiciones, la bomba trabaja en forma continua. Una vez comprobado el funcionamiento de la bomba, vuelva a enchufar el cordón de alimentación de la bomba en la parte de atrás del enchufe del sensor de agua (ver Figura 2).
5. Limpie regularmente la superficie del sensor de agua para impedir que depósitos de sedimento u otros materiales se acumulen en la superficie del sensor (ver Figura 2).

⚠ ADVERTENCIA Esta bomba contiene aceite dieléctrico para su enfriamiento. Este aceite puede ser dañino para el medio ambiente. Verifique las leyes ambientales de su estado antes de desechar este aceite.

Informaciones Generales de Seguridad

PROPOSICIÓN 65 DE CALIFORNIA

ADVERTENCIA Este producto o su cable de corriente pueden contener químicos, incluido plomo, que es conocido por el Estado de California como causante de cáncer y defectos de nacimiento u otros daños reproductivos. Lávese las manos después de manipularlo.

GENERAL

PELIGRO Evite bombear fluidos inflamables o explosivos, como gasolina, fueloil, queroseno, etc. No la use en atmósfera inflamable o explosiva. La bomba sólo debe usarse para bombear agua limpia. De lo contrario podría provocar lesiones personales y/o daños a la propiedad.

AVISO Esta bomba no está diseñada para manejar agua salada, salmuera, descargas de lavado, ni demás usos que contengan productos químicos cáusticos u otros materiales extraños. Si se usa en dichas aplicaciones, la bomba podría dañarse, anulando la garantía.

ADVERTENCIA Un electricista calificado debe realizar todo el cableado.

PELIGRO Si el sótano tiene agua o humedad en el piso, no camine sobre el área mojada hasta que se desconecte la corriente. Si la caja de desconexión principal está en el sótano, llame a un electricista. Retire la bomba y repárela o reemplácela. Si no respeta esta advertencia puede provocar un choque eléctrico mortal.

AVISO Es necesario usar un sistema de respaldo. Llame al 1-800-237-0987 para obtener el número del modelo de la bomba de respaldo.

Instalación

1. Instale la bomba en un pozo de sumidero con el tamaño mínimo, como se muestra en la figura 1. Haga el pozo de sumidero en loza, cemento, acero o plástico.
2. La unidad debe ubicarse y apoyarse sobre una base sólida y nivelada. No coloque la bomba directamente sobre arcilla, tierra, barro o sobre una

superficie arenosa. Estas superficies contienen pequeñas piedras, grava, arena, etc., que pueden obstruir o dañar la bomba y causar fallas en la misma.

ADVERTENCIA Riesgo de inundación. Si se usa la manguera flexible de descarga, asegúrese de que la bomba esté asegurada en el pozo del sumidero para evitar el movimiento. El no fijar la bomba puede permitir el movimiento de la bomba e interferencias del interruptor, impidiendo que la bomba arranque o pare.

3. Enrosque la válvula de retención (no incluida) en el cuerpo de la bomba, con cuidado de no dañar la rosca. No use sellador para juntas de tuberías.
4. Conecte el tubo rígido de 31,7 mm (1-1/4") a la válvula de retención.

ADVERTENCIA Sujete la bomba y la tubería cuando la esté ensamblando y después de la instalación. El no hacerlo podría provocar que la tubería se rompa, que la bomba falle, etc., lo que podría dar como resultado daño a la propiedad y/o lesiones personales.

5. Proteja el cable de corriente de objetos punzantes, superficies calientes, aceite y productos químicos. Evite doblar el cable y reemplace los cables dañados de inmediato.
6. Posicione la bomba LEJOS de la entrada de agua de manera que el interruptor no quede cerca de la entrada de agua (ver Figura 1).
7. Se deberá instalar una tapa para el pozo del sumidero para evitar que los desechos obstruyan o dañen la bomba.

Funcionamiento

PELIGRO Siempre desconecte el suministro de corriente antes de intentar instalar, efectuar un servicio, reubicar o realizar el mantenimiento de la bomba. No toque nunca la bomba de sumidero, el motor de la bomba, el agua o el tubo de descarga mientras la bomba esté conectada al suministro de corriente. Nunca manipule la bomba o el motor de la bomba con las manos húmedas o cuando se encuentre sobre una superficie húmeda o mojada ni dentro del agua. Puede presentarse un choque eléctrico mortal.

1. Se requiere un interruptor de circuito de descarga a tierra (GFCI).

ADVERTENCIA ¡Riesgo de choque eléctrico! Esta bomba viene con un conductor de conexión a tierra y un enchufe de conexión a tierra. Use un receptáculo con conexión a tierra para reducir el riesgo de choque eléctrico mortal.



Nunca corte la clavija redonda de conexión a tierra. Si corta el cable o el enchufe se anulará la garantía y hará que la bomba no funcione.

2. Esta bomba está diseñada para usarla sólo con 120 voltios (monofásico), 60 Hz, 15 amp. y está equipada con un cable de 3 conductores y un enchufe del tipo de conexión a tierra de tres clavijas. Inserte el enchufe del cordón del interruptor directamente en un tomacorriente de 120 voltios.
3. Enchufe el cordón de alimentación de la bomba directamente en la parte de atrás del enchufe del cordón del sensor de agua (Figura 2).

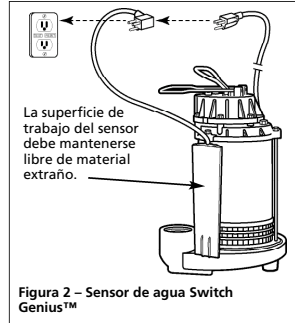


Figura 2 – Sensor de agua Switch Genius™

4. Llene el sumidero con agua. La bomba se enciende automáticamente cuando el agua es cerca de 1,5" 3,81 cm (1.5") desde el extremo superior del interruptor. La bomba se reciclará a partir de ese momento, cada vez que sea necesario.
 - La bomba de sumidero trabaja por un mínimo de 4 segundos, hasta un máximo de 16 antes de apagarse.
 - El tiempo de funcionamiento de la bomba de sumidero es determinado por el tamaño del pozo del sumidero y el flujo de agua en el pozo de sumidero.

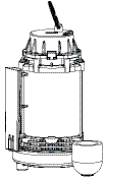
Instructions d'Utilisation et Manuel de Pièces

CDUCAP Série

S'il vous plaît lire et conserver ces instructions. Lire attentivement avant de monter, installer, utiliser ou de procéder à l'entretien du produit décrit. Se protéger ainsi que les autres en observant toutes les instructions de sécurité, sinon, il y a risque de blessure et/ou dégâts matériels! Conserver ces instructions comme référence.



Pompe De Puisard Immersée



Description

La pompe immergée est conçue pour les applications de puisard intérieur résidentiel. L'appareil est doté d'un cordon d'alimentation mis à la terre, à 3 broches. Le moteur est rempli d'huile et scellé pour un fonctionnement plus frais et il est conçu pour fonctionner sous l'eau. Cette pompe n'est pas conçue pour la vie aquatique.

Cette pompe de puisard est fournie avec la technologie Switch Genius™ pour contrôler le niveau d'eau. Lorsque de l'eau est détectée, la pompe démarre automatiquement.

Déballage

Vérifiez cette unité avant de l'utilisation. Parfois, un produit peut être endommagé pendant le transport. Si la pompe ou d'autres pièces ont subi de dommages, renvoyez l'unité à la place d'achat pour son remplacement. Si vous ne faites pas ça, vous risquez des blessures graves ou la perte de vie.

Importantes instructions de sécurité

LIRE ET SUIVRE TOUTES LES INSTRUCTIONS

Directives de Sécurité

Ce manuel contient de l'information très importante qui est fournie pour la SÉCURITÉ et pour ÉVITER LES PROBLÈMES D'ÉQUIPEMENT. Rechercher les symboles suivants pour cette information.

DANGER Danger indique une situation hasardeuse imminente qui résultera en perte de vie ou blessures graves.

AVERTISSEMENT Avertissement indique une situation hasardeuse potentielle qui peut résulter en perte de vie ou blessures graves.

ATTENTION Attention indique une situation hasardeuse potentielle qui peut résulter en blessures.

AVIS Avis indique de l'information importante pour éviter le dommage de l'équipement.

Généralités sur la Sécurité

POSITION 65 DE CALIFORNIE

AVERTISSEMENT Ce produit ou son cordon peuvent contenir des produits chimiques, y compris du plomb, relevés par l'État de Californie comme cause de cancer, d'anomalies congénitales ou d'autres problèmes reproductifs. Lavez-vous les mains après toute manipulation.

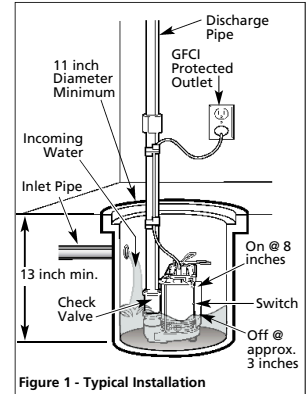


Figure 1 - Typical Installation

Spécifications

Exigences d'alimentation de courant	120 V, 60 Hz
Moteur	Monophasé, rempli d'huile
Valeurs en ampères/horsepower	1/3 HP/9.5 A (CDUCAP725) 1/2 HP/10 A (CDUCAP850) 3/4 HP/10 A (CDUCAP995) 1 HP/10 A (CDUCAP1000)
Plage de température liquide	4,4 à 48,9 °C (40 à 120 °F)
Exigences du circuit	15 ampères (min)
Dimensions :	29 cm de haut x 24,7 cm de base (11 1/2 x 9 3/4 po)
Niveau de coupe (réglé en usine)	20 cm (8 po)
Niveau de découpe (réglé en usine)	environ 7,6 cm (3 po)

Construction

Boîtier de moteur	Acier laminé à froid, acier inoxydable (CDUCAP995)
Volute	Fonte
Impulseur	Thermoplastique renforcé de verre
Arbre	Acier à faible teneur en carbone
Garnitures	Buna N
Décharge	1 1/2 po (6,3 mm) NPT
Couvercle du moteur	Thermoplastique renforcé de verre

MÉMENTO: Gardez votre preuve datée d'achat à fin de la garantie!
Joignez-la à ce manuel ou classez-la dans un dossier pour plus de sécurité.

Généralités sur la Sécurité (Suite)

GÉNÉRAL

⚠ DANGER Ne pas pomper de fluides inflammables ou explosifs tels que l'essence, le mazout, le kérosène, etc. Ne pas utiliser dans un milieu inflammable et/ou explosif. La pompe ne doit être utilisée que pour pomper de l'eau fraîche. Sinon il pourrait y avoir des blessures personnelles et/ou des dommages à la propriété.



AVIS Cette pompe n'est pas conçue pour traiter l'eau salée, la saumure, la décharge de lessive ou toute autre application qui pourrait contenir des produits chimiques caustiques et/ou des matières étrangères. Si la pompe est utilisée pour ces applications, elle pourrait être endommagée et cela annulera la garantie.

⚠ AVERTISSEMENT Tout le câblage doit être effectué par un électricien qualifié.

⚠ DANGER Si le sous-sol a de l'eau ou de l'humidité sur le plancher, ne pas marcher aux endroits mouillés avant que le courant ne soit coupé. Si la boîte d'arrêt est dans le sous-sol, appeler un électricien. Retirer la pompe et la nettoyer ou la remplacer. Ne pas suivre cet avertissement pourrait mener à un choc électrique mortel.



AVIS Il faut utiliser un système de secours. Appeler le 1-800-237-0987 pour le numéro de modèle de l'appareil de secours.

Installation

1. Installer la pompe dans un puisard d'une taille minimale tel qu'indiqué sous la figure 1. Construire le puisard de carreaux, béton, acier ou plastique.
2. L'appareil doit être installé et reposer sur une base solide et à niveau. Ne pas placer la pompe directement sur de l'argile, de la terre, du gravier ou sur une surface sablonneuse. Ces surfaces contiennent de petites pierres, du gravier, du sable, etc. qui peuvent bloquer ou endommager la pompe menant à une défaillance de pompe possible.

⚠ AVERTISSEMENT Risque d'inondation. Si l'on utilise un tuyau de décharge flexible, s'assurer que la pompe est bien fixée dans un puisard pour éviter tout déplacement. Ne pas fixer la pompe en

place pourrait mener à son déplacement et à l'interférence de l'interrupteur et ainsi empêcher le démarrage et l'arrêt de la pompe.

3. Enfiler le clapet (pas compris) dans le corps de la pompe avec soin pour éviter de dénuder ou de fausser le filetage. Ne pas utiliser de mastic de jointolement.

4. Connecter un tuyau rigide de 3,2 cm (1 1/4 po) (minimum) au clapet.

⚠ AVERTISSEMENT Supporter la pompe et la tuyauterie en assemblant et après l'installation. Ne pas suivre ces directives pourrait mener à des bris de tuyaux, à la défaillance de la pompe etc. qui pourrait ensuite mener à des dommages à la propriété et/ou à des blessures.

5. Protéger le cordon électrique des objets tranchants, des surfaces chaudes, de l'huile et des produits chimiques. Éviter le tortillement du cordon et remplacer immédiatement les cordons endommagés.

6. Placer l'interrupteur de la pompe LOIN de l'entrée pour que l'interrupteur soit loin de l'entrée d'eau (voir la figure 1).

7. Il faut installer un couvercle de puisard pour éviter que les débris ne bloquent ou n'endommagent la pompe.

Fonctionnement

⚠ DANGER Danger indique Toujours débrancher le cordon d'alimentation avant d'essayer d'installer, de réparer, de déplacer ou de faire l'entretien de la pompe. Ne jamais toucher la pompe de puisard, le moteur de pompe, la tuyauterie d'eau ou de décharge lorsque la pompe est branchée au courant. Ne jamais manipuler de pompe ou de moteur de pompe avec les mains humides ou debout dans l'eau ou sur une surface humide. On pourrait avoir un choc électrique mortel.

1. Il faut installer un disjoncteur de fuite à la terre.

⚠ AVERTISSEMENT Risque de choc électrique ! Cette pompe est fournie avec un conducteur de terre et une fiche de masse. Utiliser une prise à la terre pour réduire le risque de choc électrique mortel.

Ne jamais couper la broche de terre ronde. Couper le cordon ou la fiche annulera la garantie et rendra la pompe inutilisable.



2. Cette pompe ne doit être utilisée qu'avec 120 volts (monophasé), 60 Hz, 15 ampères et est dotée d'un cordon à 3 conducteurs et 3 broches et à fiche de masse. Insérer la fiche du cordon de l'interrupteur dans une prise de 120 volts.
3. Insérer la fiche du cordon de la pompe directement à l'arrière de la fiche du cordon à capteur d'eau (figure 2).

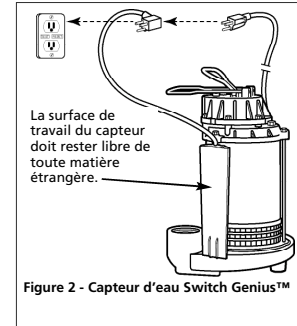


Figure 2 - Capteur d'eau Switch Genius™

4. Remplir le puisard d'eau. La pompe se mettra en marche automatiquement lorsque l'eau est à environ 3,8 cm (1,5 po) du dessus de l'interrupteur. La pompe reprendra son cycle ensuite au besoin.
 - La pompe de puisard fonctionnera pendant au moins 4 secondes à un maximum de 16 secondes avant de s'arrêter.
 - Le temps de fonctionnement de la pompe de puisard sera déterminé par la taille du puisard et le rythme d'écoulement d'eau dans le puisard.
 - Pendant les inondations, la pompe s'arrêtera pendant 1 seconde, toutes les 16 secondes et se remettra en marche automatiquement.
5. Ne pas faire fonctionner la pompe à moins qu'elle ne soit submergée dans l'eau. Tourner à sec mène à une défaillance de pompe.
6. Ce moteur est doté d'un protecteur thermique à réinitialisation automatique.

Sírvase leer y conservar estas instrucciones. Léelas con cuidado antes de intentar armar, instalar, operar o efectuar mantenimiento al producto descrito. Protéjase a sí mismo y a los demás observando la información de seguridad. El no cumplir con estas instrucciones podría provocar lesiones personales y/o daños materiales. Conserve estas instrucciones para futura referencia.



Bomba Sumergible para Sumideros



Descripción

La bomba sumergible está diseñada para aplicaciones de sumidero domésticas al interior. La unidad está equipada con un cordón eléctrico con enchufe de tres clavijas y conexión a tierra. El motor se entrega lleno de aceite y sellado permitiendo un funcionamiento a menor temperatura y está diseñado para trabajar debajo del agua. Esta bomba es nociva para la vida acuática. Esta bomba trae la tecnología Switch Genius™ para el control del nivel de agua. La bomba se enciende automáticamente cuando se detecta la presencia de agua.

Desempacar

Revise esta unidad antes de usarla. A veces, el producto puede sufrir daños durante el transporte. Si la bomba u otras piezas se han dañado, devuelva la unidad al lugar donde ha sido comprada para que la sustituyan. De no hacer eso, se pueden producir serios daños o la muerte.

Instrucciones de seguridad importantes

LEA Y SIGA TODAS LAS INSTRUCCIONES.

Medidas de Seguridad

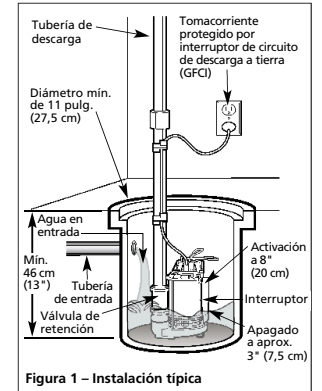
Este manual contiene información que es muy importante conocer y comprender. Esta información se proporciona con fines de SEGURIDAD y para EVITAR PROBLEMAS CON EL EQUIPO. Para ayudarlo a reconocer esta información, observe los siguientes símbolos:

⚠ PELIGRO Esto le indica que hay una situación inmediata que LE OCASIONARIA la muerte o heridas de gravedad.

⚠ ADVERTENCIA Esto le indica que hay una situación que PODRIA ocasionarle la muerte o heridas de gravedad.

⚠ PRECAUCION Esto le indica que hay una situación que PODRIA ocasionarle heridas no muy graves.

⚠ AVISO Esto le indica una información importante, que de no seguirla, le podría ocasionar daños al equipo.



Especificaciones

Requisitos de suministro de energía	120 V, 60 hz
Motor	Monofásico, lleno de aceite
Clasificación de Caballos de fuerza/Amp	1/3 HP/9.5 A (CDUCAP725) 1/2 HP/10 A (CDUCAP850) 3/4 HP/10A (CDUCAP995) 1 HP/10 A (CDUCAP1000)
Rango de temp. del líquido	40°F a 120°F (4°C a 49°C)
Requisitos del circuito	15 A (mín)
Dimensiones	29 cm de alto por 24,9 cm de base (11-1/2 inch x 9-3/4 inch)
Nivel de activación (ajuste de fábrica)	20 cm (8 inches)
Nivel de corte (ajuste de fábrica)	Aprox. 7,5 cm (3 inches)

Construcción

Caja del motor	Acero laminado, acero inoxidable (CDUCAP995)
Caja espiral	Hierro fundido
Impulsor	Termoplástico reforzado con vidrio
Eje	Acero bajo en carbono
Sellos	Buna N
Descarga	1-1/2" (3,8 cm) NPT
Cubierta del motor	Termoplástico reforzado con vidrio

RECORDATORIO: ¡Guarde su comprobante de compra con fecha para fines de la garantía! Adjúntela a este manual o archívela en lugar seguro.

Garantie Limitée

Pendant cinq (5) ans (modèles CDUCAP725 et CDUCAP850) et sous une garantie à vie (modèles CDUCAP995 et CDUCAP1000) à compter de la date d'achat, Wayne Water Systems va réparer ou remplacer, à sa discrétion, pour l'acheteur original n'importe quelle pièce ou pièces de ces Pompes de Puisard ou Pompes à eau (« Produit ») déterminées défectueuses, par Wayne Water Systems, en termes de matériaux ou de fabrication. S'il vous plaît appeler Wayne Water Systems (1-800-237-0987) pour des instructions ou contacter votre marchand. S'assurer d'avoir, à votre disposition, le numéro du modèle afin d'effectuer cette garantie. Les frais de transport des Produits ou pièces soumis pour la réparation ou le remplacement sont la responsabilité de l'acheteur.

Cette Garantie Limitée ne couvre pas les Produits qui se sont fait endommagés en résultat d'un accident, utilisation abusive, mauvais usage, négligence, l'installation incorrecte, entretien incorrect, ou manque d'utilisation conformément aux instructions écrit de Wayne Water Systems.

IL N'Y A AUCUNE AUTRE GARANTIE EXPRESSE. LES GARANTIES IMPLICITES, Y INCLUS CELLES DE QUALITÉ MARCHANDE ET CONVENABLE À UN USAGE PARTICULIER, SONT LIMITÉES À CINQ (5) ANS (MODÈLES CDUCAP725 et CDUCAP850) ET À VIE (MODÈLES CDUCAP995 et CDUCAP1000) À COMPTER DE LA DATE D'ACHAT. CE CI EST LA REMÈDE EXCLUSIVE ET N'IMPORTE QUELLE RESPONSABILITÉ POUR N'IMPORTE QUEL ET TOUT DOMMAGES INDIRECTS OU DÉPENSES QUOI QUE SE SOIT EST EXCLUS.

Certaines Provinces n'autorisent pas de limitations de durée pour les garanties implicites, ni l'exclusion ni la limitation des dommages fortuits ou indirects. Les limitations précédentes peuvent donc ne pas s'appliquer. Cette garantie limitée donne, à l'acheteur, des droits légaux précis, et vous pouvez avoir autres droits légaux qui sont variable d'une Province ou d'un État à l'autre.

En aucun cas, soit par suite d'un rupture de contrat de garantie, acte dommageable (y compris la négligence) ou autrement, ni Wayne Water Systems ou ses fournisseurs seront responsables pour aucune dommage spéciale, incidentel ou pénal, y compris, mais pas limité à la perte de profits ou recettes, la perte d'usage des produits ou n'importe quel équipement associé, dommage à l'équipement associé, coût de capital, coût de produits remplaçants, aménagements, services ou abilité de remplacement, coût de temps que le produit n'est pas en service, ou la réclamation des clients de l'acheteur pour ces dommages.

Vous **DEVEZ** garder votre recette d'achat avec ce bulletin. Il est **NÉCESSAIRE** d'envoyer une **COPIE** de la recette d'achat avec le matériel ou correspondance afin d'effectuer une réclamation de la garantie. S'il vous plaît appeler Wayne Water Systems (1-800-237-0987) pour l'autorisation et instructions concernant le renvoi.

NE PAS ENVOYER, PAR LA POSTE, CE BULLETIN À WAYNE WATER SYSTEMS. Utiliser ce bulletin seulement pour vos archives.

N° DU MODÈLE _____

N° DE SÉRIE _____

DATE D'INSTALLATION _____

FIXER VOTRE FACTURE ICI

Fonctionnement (Suite)

- Tandis que la pompe draine le puisard, vérifier que le tuyau de décharge transporte l'eau vers un point à plusieurs pieds ou mètres de distance de la fondation.
- Si la conduite de décharge est exposée au gel, il faut incliner la conduite exposée pour la drainer. L'eau emprisonnée gèlera et endommagera la pompe.

Entretien

⚠ DANGER *Toujours couper le courant avant d'essayer d'installer, de réparer, de déplacer ou de faire tout entretien. Si la source de courant est loin de la vue, verrouiller et étiqueter en position ouverte (arrêt) pour éviter toute application de courant imprévue. Ne pas suivre ces instructions pourrait*

mener à un choc électrique mortel. Seulement des électriciens qualifiés devraient réparer cet appareil. Une mauvaise réparation pourrait mener à des chocs électriques mortels.

- Laisser la pompe refroidir pendant au moins deux heures avant tout entretien ou réparation parce que la pompe contient de l'huile chaude sous pression et le moteur est chaud.
- Démonter le moteur avant l'expiration de la garantie annulera la garantie. S'il faut des réparations, consulter le tableau de dépannage.
- L'entrée doit rester propre et libre de tous objets étrangers et être inspectée chaque année. Une entrée bloquée endommagera la pompe.
- La pompe doit être vérifiée chaque mois pour assurer son bon fonctionnement. La pompe se vérifie pour assurer son bon

fonctionnement en retirant brièvement le cordon de la pompe de l'arrière de la fiche du capteur d'eau et en l'insérant directement dans la prise mise à la terre. Dans cet état, la pompe fonctionnera continuellement. Lorsque le fonctionnement de la pompe est vérifié, replacer le cordon de la pompe à l'arrière de la fiche du capteur d'eau (voir la figure 2).

- Essuyer régulièrement la surface du capteur d'eau pour éviter que de la vase ou autres revêtements s'accumulent sur le capteur (voir la figure 2).

⚠ AVERTISSEMENT *Cette pompe contient de l'huile diélectrique pour son refroidissement. Cette huile peut être dangereuse pour l'environnement. Vérifier les lois environnementales de l'état avant de jeter cette huile.*

Guide De Dépannage

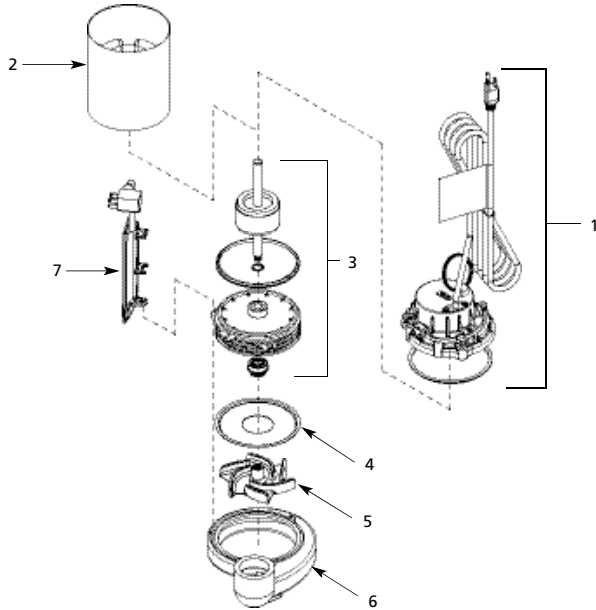
Symptôme	Cause(s) Possible(s)	Mesure Correctives
Pompe ne démarre pas ou ne fonctionne pas	<ol style="list-style-type: none"> Fusible grillé Basse tension Moteur défectueux Impulseur 	<ol style="list-style-type: none"> Si grillé, remplacer avec un fusible de bonne taille ou réinitialiser le disjoncteur Si la tension est inférieure à 108 volts, vérifier la taille du câblage Remplacer la pompe Si l'impulseur ne tourne pas, retirer le boîtier et retirer le blocage
Pompe démarre et s'arrête trop souvent	<ol style="list-style-type: none"> Retour d'eau de tuyauterie Entrée d'eau draine sur la face du capteur 	<ol style="list-style-type: none"> Installer ou remplacer le clapet. Placer l'interrupteur de la pompe loin de l'entrée pour que l'interrupteur soit loin de l'entrée d'eau (voir la figure 1).
Pompe ne s'arrête pas ou le protecteur thermique s'éteint	<ol style="list-style-type: none"> Obstacle dans la tuyauterie Basse tension Trop d'appareils sur le circuit Capteur d'eau sale Entrée d'eau draine sur la face du capteur 	<ol style="list-style-type: none"> Retirer la pompe et la nettoyer ainsi que la tuyauterie. Si la tension est inférieure à 108 volts, vérifier la taille du câblage Installer la pompe sur un circuit réservé. IMPORTANT : Ne pas utiliser de rallonges pour alimenter la pompe. Nettoyer la face du capteur (voir la figure 2) Placer l'interrupteur de la pompe loin de l'entrée pour que l'interrupteur soit loin de l'entrée d'eau (voir la figure 1).
Pompe fonctionne mais livre peu ou aucune eau	<ol style="list-style-type: none"> Impulseur bloqué Clapet installé à l'envers Poche d'air dans la pompe 	<ol style="list-style-type: none"> Nettoyer l'impulseur Inverser la position du clapet. Percer un trou de 3,1 mm (1/8 po) dans la conduite de décharge entre la pompe et le clapet
Son de gargouillis de la pompe à la fin du cycle	<ol style="list-style-type: none"> Air injecté dans la pompe Le temps requis pour pomper est de moins de 4 secondes 	<ol style="list-style-type: none"> Essuyer la surface du capteur (voir figure 2) Un temps de fonctionnement supplémentaire n'endommagera pas la pompe

Pour des Pièces de Rechange, composer 1-800-237-0987

S'il vous plait fournir l'information suivante :

- Numéro de modèle
- Numéro de série (si applicable)
- Description et numéro de pièce d'après la liste de pièces

Correspondance:
Wayne Water Systems
101 Production Drive
Harrison, OH 45030 U.S.A.



Liste de Pièces de Rechange

No. de Réf.	Description	CDUCAP Série
1	Néc. de couvercle supérieur	60030-001
2	Stator	—
3	Support inférieur/Assem. de Rotor	—
4	Plaque de turbine	15958
5	Turbine	60001-001
6	Volute	60039-001
7	Capteur d'eau Switch Genius™	30037-001

Notes
